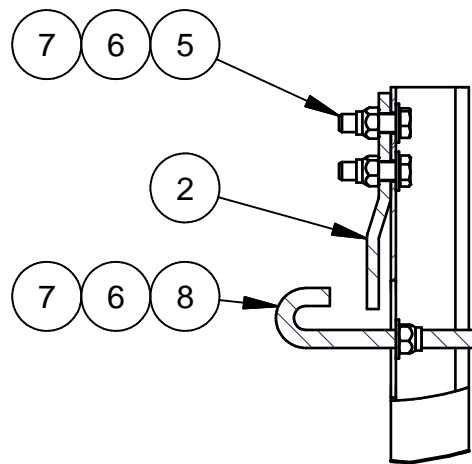
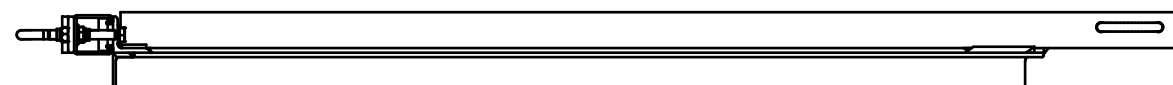


ITEM	PART NO	QTY	DESCRIPTION	MATL	WEIGHT
1	SA9811	1	OUTRIGGER UNI-STRUT MOUNT		10.35
2	SA9812	2	OUTRIGGER MOUNT CLIP		.46
3	SC8496	1	OUTRIGGER WELDMENT INDEX RAIL LIGHT		18.23
4	SA7161	2	NUT CHANNEL .375-16 X 1.63		.10
5	A3112	6	CAPSCR HEXHD .375-16NC X 1.250 ZNPL GR5		.06
6	A11973	8	WASHER FLT SAE .375 X .812 X .065 ZNPL		.01
7	A3113	6	NUT HEX NYLK .375-16NC ZNPL GR5		.02
8	A13126	2	J BOLT .375-16NC X 3.75		.17
9	A10267	1	U BOLT .375-16NC X 2.00 X 2.63LG BLKXOX		.24



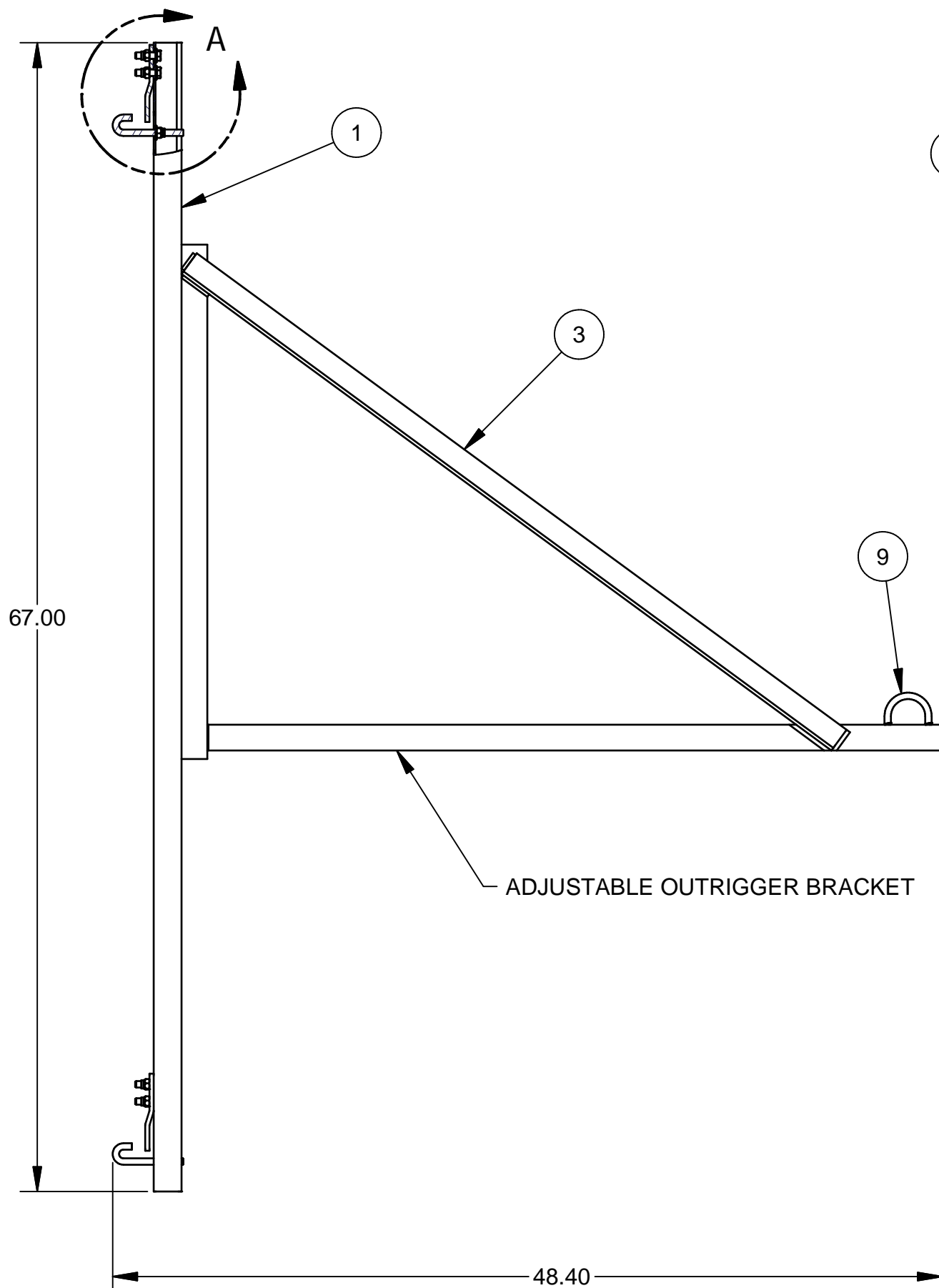
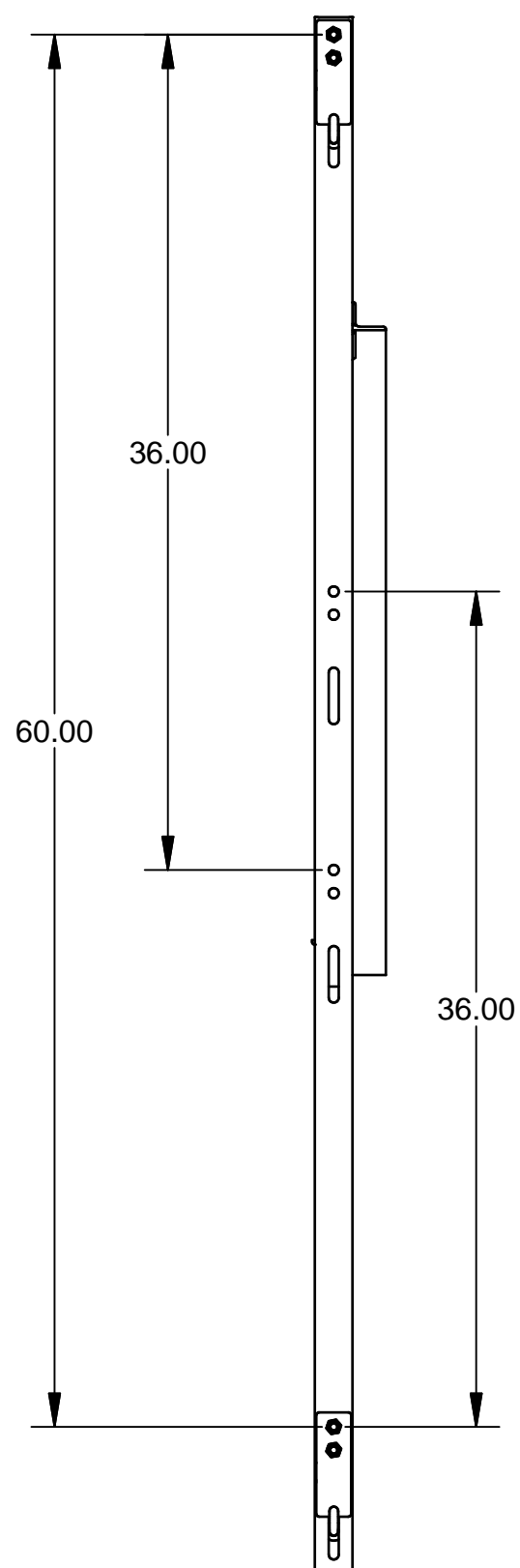
DETAIL A



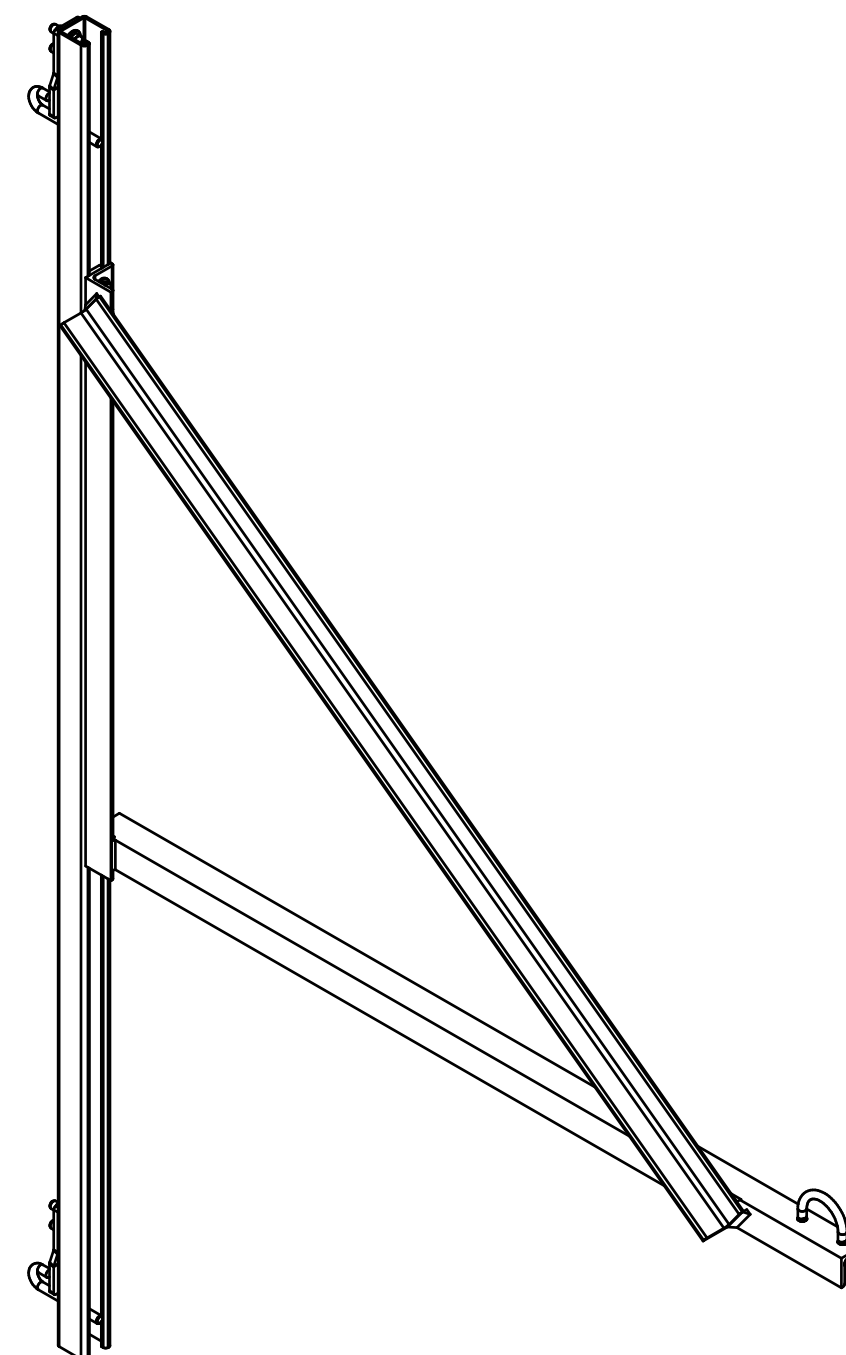
DISTANCE FROM CENTER OF PIPE BATTEN TO FACE OF TEE WALL IS 42.00 INCHES

3.06

4 6 5



ADJUSTABLE OUTRIGGER BRACKET



TOLERANCES UNLESS OTHERWISE SPECIFIED
.X ± .050
.XX ± .030
.XXX ± .010
FRAC ± 1/16
ANG ± 1°
FINISHED HOLES
FRAC ± 1/32
REMOVE ALL BURRS
DO NOT SCALE DRAWING

DESCRIPTION		REVISION	
OUTRIGGER ASSEMBLY INDEX RAIL LIGHT		REV.	DATE
MODEL		ECN BY	DESCRIPTION
FINISH		REVISION	
TREAT		PART NO	
WEIGHT		SCALE	
DRAWN BY		DATE	
JRW		2/7/2014	
THIS PRINT IS THE PROPERTY OF THERN, INC. AND MUST NOT BE REPRODUCED EITHER IN FULL OR IN PART WITHOUT WRITTEN APPROVAL BY THERN, INC.		PART NO	
		SC8497	

THERN INC
5712 INDUSTRIAL PARK ROAD
P.O. BOX 347
WINONA, MN 55987
PHONE 1-507-454-2996
FAX 1-507-454-5282

SHEET
1
OF
1